

**NeoKicks™ is designed for migrating CICS Applications to the .Net environment**, providing a similar system architecture while enabling the applications to take maximum advantage of the modern interfaces and technologies provided by the Microsoft®.Net Framework. You can convert BMS maps into ASP.NET Webpage interfaces, yet preserve mainframe style keyboard input. This allows companies to transform one of the most inflexible parts of their application architecture to a modern, agile architecture.

## Benefits of NeoKicks® :

- Move to a cost effective, scalable hardware platform
- Escape from a propriety hardware and software environment in which enhancements come from a single vendor
- Enter an open environment where enhancements and new technologies are being provided by multiple vendors
- Modernize application interfaces in a controlled manner-- opt for mainframe look and feel until you're ready to move to GUI
- Expose existing business logic as Web services
- Provide your programmers with Visual Studio, the world's best development environment
- Has similar architecture to mainframe CICS and provides tools for configuring styles and environment
- Uses a more extensible architecture so the mapping of mainframe behaviors to Windows & extending them is easier

## Features of NeoKicks® :

- Imports your CICS COBOL code into Visual Studio projects, preprocessing EXEC CICS statements into the NeoKicks equivalents. The preprocessed code and generated projects work with Fujitsu's leading NetCOBOL® for .NET Product.
- Converts your screens into ASP.NET web forms that you maintain using Visual Studio's designers
- Configures styles of your converted BMS maps using ASP.NET master pages and cascading style sheets
- Distributed Program Link transactions can be converted to to web services and still accessed by NeoKicks
- Integrates with Visual Studio giving a productive and easy-to-use development environment



ISV/Software Solutions



## Overview:

- Enables migration of CICS applications to the .NET Framework maintaining program code and structure
- Positions applications to take advantage of the .NET environment
- Makes CICS screens into Web pages
- Add new agility to your CICS applications
- Moves you to a cost effective, scalable, hardware platform
- Works in an open environment where technological advances are provided by multiple vendors
- Brings your programmers to Visual Studio, the world's best development environment

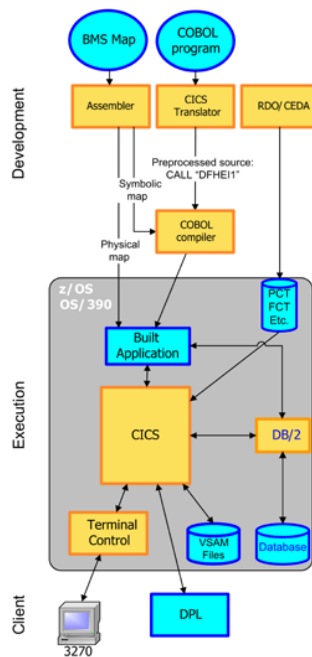


Figure 1: Standard CICS Architecture

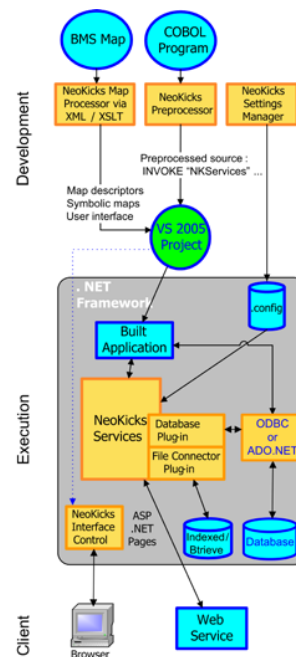


Figure 2: NeoKicks Architecture

### NeoKicks Platforms Supported:

- Microsoft® Windows® 7+
- Microsoft® Windows® Serve 2008+
- Microsoft Visual Studio® 2010 +
- Microsoft .NET Framework 3.5+
- Microsoft .NET Framework 4.5.2
- NetCOBOL for .NET V5+

GT Software ([www.gtsoftware.com](http://www.gtsoftware.com)) turns yesterday's legacy systems into tomorrow's leading edge applications. Its solutions help organizations extend the value of their IT investments through agile development and standards-based APIs, which improves workflow and enhances operational efficiency. Masters of application modernization and a global distributor of the Fujitsu NetCOBOL compiler, GT Software's proven solutions power mainframe integration with today's technologies. Currently, more than 2,500 organizations globally trust GT Software's solutions to ensure they are able to drive forward innovation that improves customer experiences, increases operational efficiency, and generates revenue.